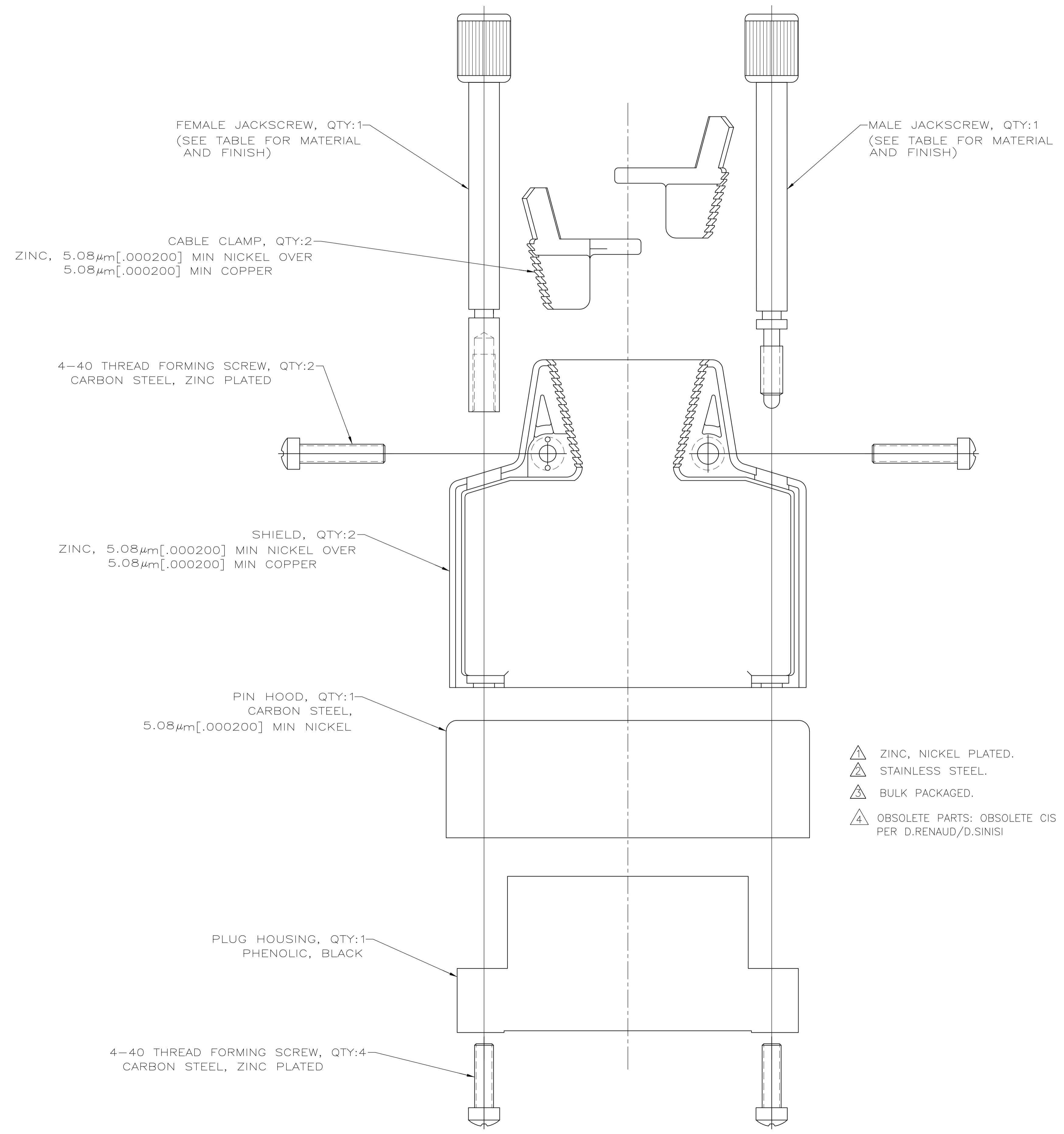
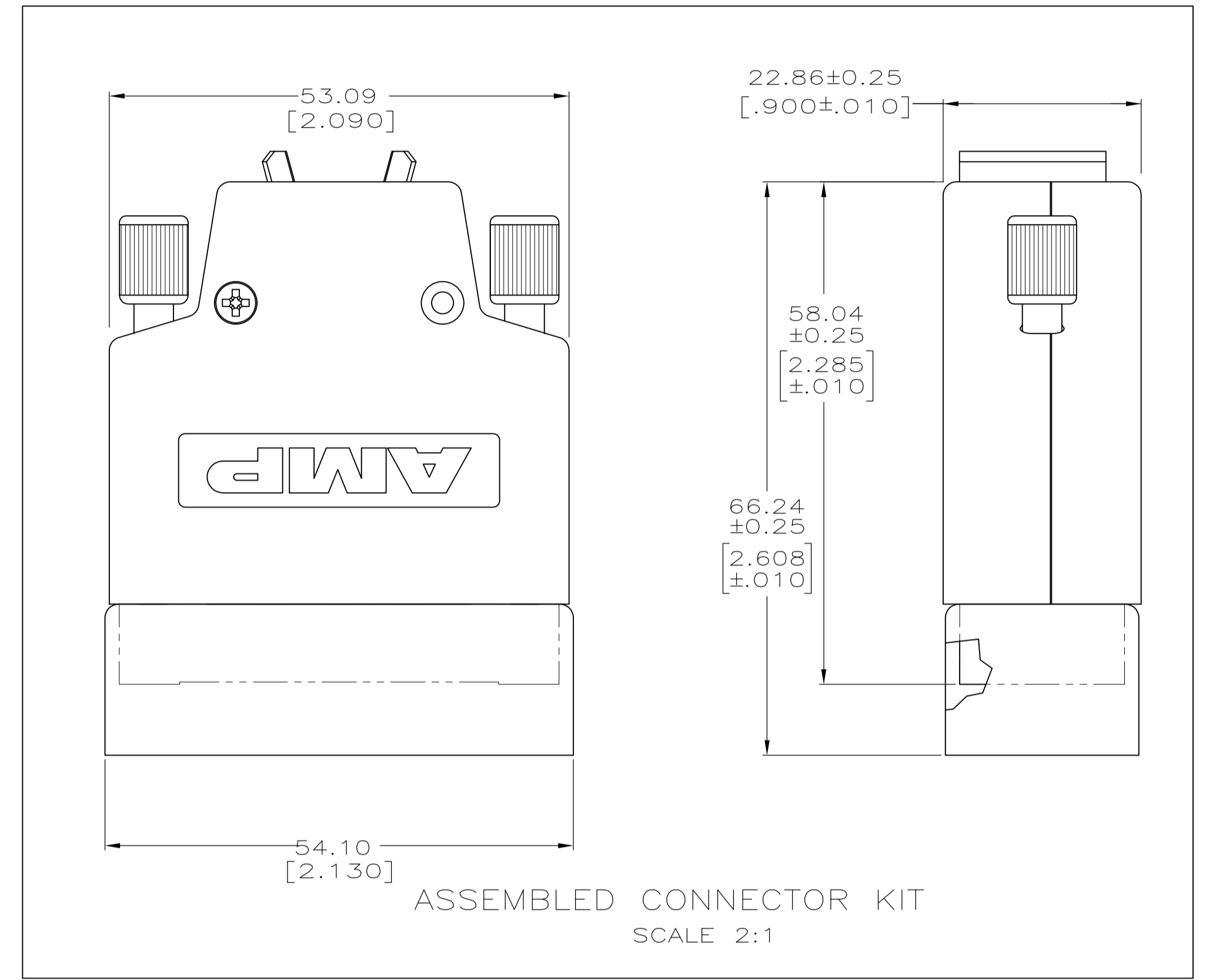


| LOC | DIST | P | F | ZONE | LTR | DESCRIPTION                          | DATE      | APPD |
|-----|------|---|---|------|-----|--------------------------------------|-----------|------|
| FT  | 8    |   |   |      |     | A ADDED -5 PER NPR 4275              | 07/22/92  | SK   |
|     |      |   |   |      |     | B ADDED -6 PER NPR 4287              | 07/30/92  | RK   |
|     |      |   |   |      |     | C ADDED -7 & -8 PER NPR 4304         | 08/12/92  | SK   |
|     |      |   |   |      |     | C1 ADDED -9 PER NPR 5009             | 12/15/93  | TC   |
|     |      |   |   |      |     | D REV PER ECN 0020-430-94            | 04/29/94  | TC   |
|     |      |   |   |      |     | E ADDED 1--0 PER EC 0020-1216-94     | 11/10/94  | TC   |
|     |      |   |   |      |     | F REV PER EC 0020-216-95             | 03/27/95  | TC   |
|     |      |   |   |      |     | G REV PER EC 0020-318-95             | 05/05/95  | TC   |
|     |      |   |   |      |     | H ADDED 1--1 PER EC 0320-46-96       | 11 SEP 96 | MM   |
|     |      |   |   |      |     | J OBS -5, -6 & -8 PER EC 0020-598-96 | 07 JAN 97 | MM   |
|     |      |   |   |      |     | J1 REVISED PER ECO-09-021826         | 07JAN10   | AEG  |



- 1 ZINC, NICKEL PLATED.
- 2 STAINLESS STEEL.
- 3 BULK PACKAGED.
- 4 OBSOLETE PARTS: OBSOLETE CIS STREAMLINING PER D.RENAUD/D.SINISI



| QTY | DESCRIPTION            | FINISH   | YES            | NO      | MIN         | MAX         | TOLERANCE | PART NO    |
|-----|------------------------|----------|----------------|---------|-------------|-------------|-----------|------------|
| 4   | 1-213684-1             | 1        | YES            | NO      | 3.81-7.62   | [.150-.300] |           | 1-213684-1 |
| 4   | 2-213684-0             | 1        | NO             | YES     | 3.81-7.62   | [.150-.300] |           | 2-213684-0 |
| 4   | 3-213684-9             | 1        | YES            | NO      | 3.81-7.62   | [.150-.300] |           | 3-213684-9 |
|     | SUPERSEDED BY 213803-2 | 2        | NO             | YES     | 6.35-10.16  | [.250-.400] |           | 213684-8   |
|     | SUPERSEDED BY 213804-3 | 2        | NO             | YES     | 10.16-15.24 | [.400-.600] |           | 213684-7   |
|     | SUPERSEDED BY 213804-3 | 2        | YES            | NO      | 6.35-10.16  | [.250-.400] |           | 213684-6   |
|     | SUPERSEDED BY 213804-3 | 2        | YES            | NO      | 10.16-15.24 | [.400-.600] |           | 213684-5   |
|     | SUPERSEDED BY 213804-3 | 2        | YES            | NO      | 6.35-10.16  | [.250-.400] |           | 213684-4   |
|     | SUPERSEDED BY 213804-3 | 2        | YES            | NO      | 10.16-15.24 | [.400-.600] |           | 213684-3   |
|     | SUPERSEDED BY 213804-3 | 2        | NO             | YES     | 6.35-10.16  | [.250-.400] |           | 213684-2   |
|     | SUPERSEDED BY 213804-3 | 2        | NO             | YES     | 10.16-15.24 | [.400-.600] |           | 213684-1   |
|     | JACKSCREW              | PIN HOOD | CABLE DIAMETER | PART NO |             |             |           |            |

|                                      |                           |   |
|--------------------------------------|---------------------------|---|
| DO NOT SCALE PRINT. UNLESS SPECIFIED | DR 6-21-91 W.G.LENKER     | AMP Incorporated<br>Harrisburg, PA 17105-3608     |
| DIMENSIONS IN mm [INCHES]            | CHK 6-27-91 R STONE       |   |
| TOLERANCES ON:                       | APPD 6-28-91 A BOULLIANNE | NAME  |
| 2 PLC DEC ± 0.13[.005]               | APPD 6-28-91 A BOULLIANNE | CONNECTOR KIT, UNASSEMBLED, 34 POSITION, M SERIES |
| 3 PLC DEC ± -                        | APPD 6-28-91 A BOULLIANNE | SIZE  |
| ANGLES ± -                           | PRODUCT SPEC              | D 00779   |
| SEE CALLOUTS                         | APPLICATION SPEC          | CAGE CODE   |
| FINISH                               | SEE CALLOUTS              | 213684  |
| SEE CALLOUTS                         | WEIGHT                    | DRAWING NO  |
|                                      |                           | 213684  |
|                                      |                           | SCALE   |
|                                      |                           | 3:1   |
|                                      |                           | SHEET   |
|                                      |                           | 1 OF 1  |